

GDT Product Specification

B3DxxxL SMD Gas Discharge Tube (7.6×5×5mm)



1、FEATURES

- Surface Mounting Design UL Certified E232249
- High Current Handling Capability 5,000A @ 8/20 μ s
- Low Capacitance and Insertion Loss
- QuickResponse and Long Service Life



2、PART NUMBER AND ELECTRICAL PARAMETER @ T=25°C RH = 45%-75%

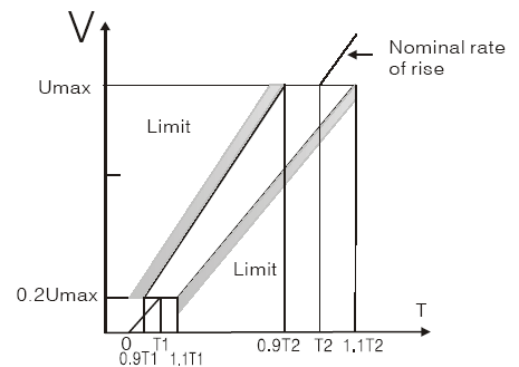
Part Number	DC Breakdown Voltage①	Tolerance of Vs	Impulse Spark-over Voltage 1kV/ μ s	Impulse Discharge Current②③ 8/20 μ s	Insulation Resistance		Capacitance ④ (1MHz)
	100V/s				G Ω	DC	
B3D090L	90V	\pm 25%	\leq 700V	5,000A	\geq 1	50V	\leq 1.5pF
B3D150L	150V	\pm 20%	\leq 800V	5,000A	\geq 1	50V	\leq 1.5pF
B3D230L	230V	\pm 20%	\leq 800V	5,000A	\geq 1	100V	\leq 1.5pF
B3D350L	350V	\pm 20%	\leq 800V	5,000A	\geq 1	100V	\leq 1.5pF
B3D420L	420V	\pm 20%	\leq 900V	5,000A	\geq 1	100V	\leq 1.5pF

- ①、 The parameters of all are tested by ITU-T K12
- ②、 Total Impulse Discharge Current 5,000A @ 8/20 μ s by IEC 61000-4-5, 10 shots
- ③、 Currents through center electrode, half value through each line electrode
- ④、 The capacitance are tested by 1MHz
- ⑤、 The V-T waveform of DCBV and IPBVmus lie

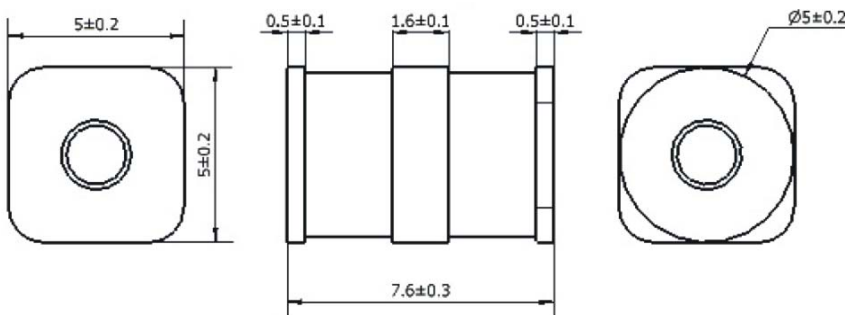
3、PART NUMBERING SYSTEM

B3D xxx L
 (1) (2) (3)

- (1) Bencent 3-Electrode SMD Gas Discharge Tube 7.6×5×5mm
- (2) DC Breakdown Voltage, e.g., 090=90V
- (3) Surge Rating @8/20 μ s, L=5,000A



4、DIMENSIONS AND MARKING



Surface Mark:

B3D090L - Part Number

0801 - Production Date

08 : Year 2008

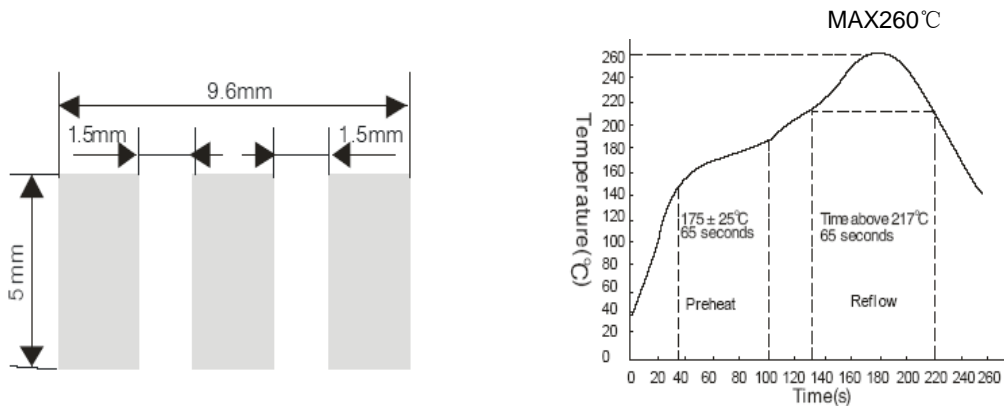
01 : Month 1, January

GDT Product Specification

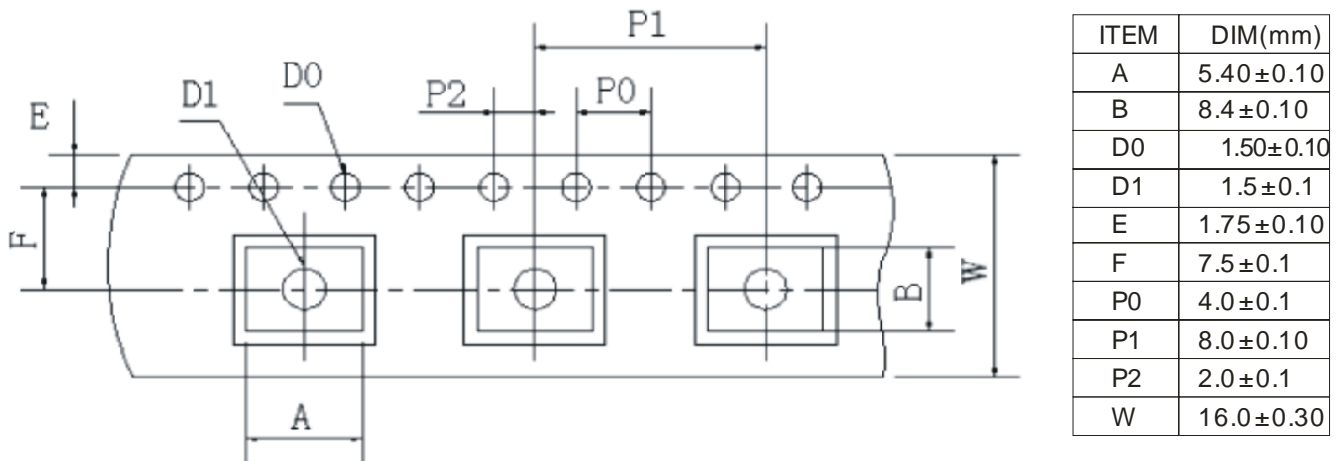
B3DxxxL SMD Gas Discharge Tube (7.6×5×5mm)



5、RECOMMENDED SOLDERING PAD AND REFLOW PROFILE



6、PACKAGE REEL INFORMATION



OUTLINE	REEL (PCS)	PER CARTON (PCS)	REEL DIAMETERS (mm)	CARTON SIZE(mm)		
				L	W	H
TAPING	1,000	16,000	330	360	360	360

Remark:

Special Notes

- 1、 Bencent Electronics Limited (BENCENT) reserves the right to make changes without further notice to its products herein.
- 2、 BENCENT does not assume any liability arising out of the application or usage of any product or circuit, and specifically disclaims any and all liability, including without limitation special, consequential or incidental damages.
- 3、 Any special usage must be authorized by BENCENT in advance; otherwise BENCENT does not take any liability of it.

Date Issued:2009/06