

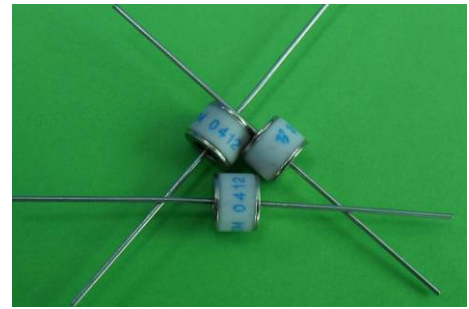
# GDT Product Specification

## B8G\*\*\*L DIP Gas Discharge Tube (Φ8×6mm)



### 1、FEATURES

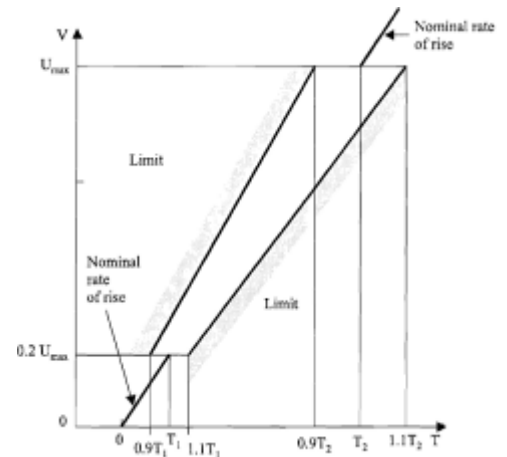
- 2-Electrode DIP Design UL Certificated E232249
- High Current Handling Capability 5,000A @ 8/20μs
- Low Capacitance and Insertion Loss
- Fast Response and Long Service Life
- Reliable to Protect Electrostatic Surge



### 2、AVAILABLE PART NUMBER AND ELECTRICAL PARAMETER @ T=25°C RH = 45%-75%

Part Number	DC Breakdown Voltage①	Tolerance of Vs	Impulse Spark-over Voltage 1kV/μs④	Impulse Discharge Current② 8/20μs	Insulation Resistance		C③ (1MHz) 0.3V <sub>DC</sub>
	100V/s④				GΩ	DC	
B8G070L	70V	±25%	≤650V	5,000A	≥1	25V	≤1pF
B8G090L	90V	±25%	≤650V	5,000A	≥1	50V	≤1pF
B8G150L	150V	±25%	≤600V	5,000A	≥1	50V	≤1pF
B8G230L	230V	±20%	≤550V	5,000A	≥1	100V	≤1pF
B8G350L	350V	±20%	≤750V	5,000A	≥1	100V	≤1pF
B8G420L	420V	±20%	≤800V	5,000A	≥1	100V	≤1pF
B8G470L	470V	±20%	≤850V	5,000A	≥1	250V	≤1pF
B8G600L	600V	±20%	≤950V	5,000A	≥1	250V	≤1pF

- ①、The parameters of all are tested by ITU-T K12
- ②、Total Impulse Discharge Current 5,000A @ 8/20μs by IEC 61000-4-5, 10 shots
- ③、The capacitance are tested by 1MHz @ DC= 0.3V
- ④、The V-T waveform of DCBV and IPBV must lie between the shades.



### 3、PART NUMBERING SYSTEM

**B8G**      **XXX**      **L**  
 (1)          (2)          (3)

(1) Bencent 2-Electrod DIP Gas Discharge Tube :

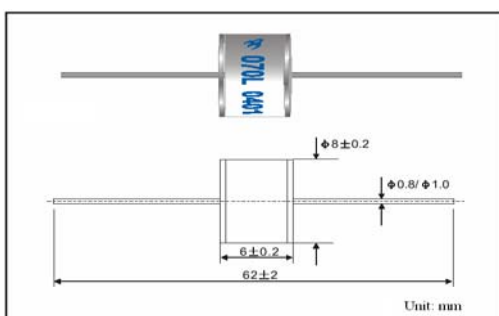
- ①、5G-Φ5.5×6 (mm)
- ②、8G-Φ8×6 (mm)

(2) DC Breakdown Voltage, e.g., 070=70V

(3) Surge Rating @8/20 μ s, L=5KA, M=20KA, H=20KA

### 4、DIMENSIONS AND RECOMMENDED FLOW

Dimensions



Surface Mark

070L-Part Number

0401-Production Date

04:Year 2004

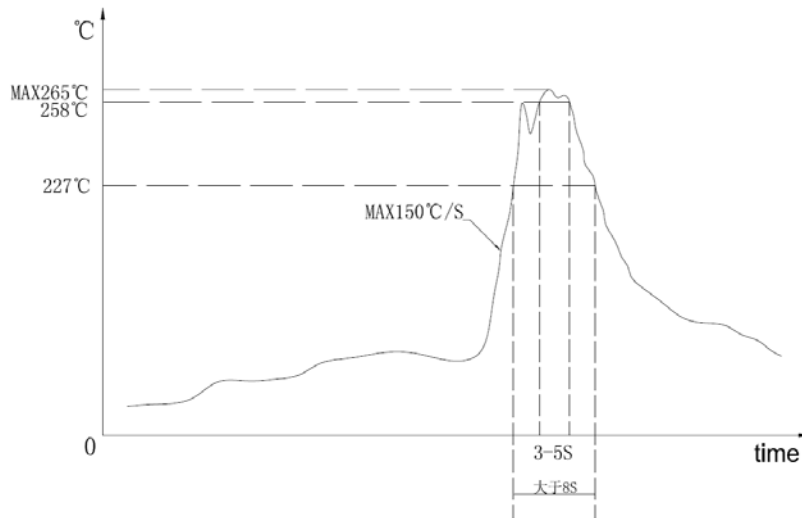
01:Month 1/January

# GDT Product Specification

## B8G\*\*\*L DIP Gas Discharge Tube (Φ8×6mm)



Recommended Flow



## 6、PACKAGE BOX INFORMATION

OUTLINE	BOX/REEL (PCS)	INSIDE CARTON (PCS)	PER CARTON (PCS)	CARTON SIZE(mm)		
				L	W	H
BOX	100	1,000	6,000	395	370	225

Remark:

### Special Notes

- 1、 Bencent Electronics Limited (BENCENT) reserves the right to make changes without further notice to its products herein.
- 2、 BENCENT does not assumes any liability arising out of the application or usage of any product or circuit, and specifically disclaims any and all liability, including without limitation special, consequential or incidental damages.
- 3、 Any special usage must be authorized by BENCENT in advance; otherwise BENCENT does not take any liability of it.

Date Issued:2009/06